

k CromPackCromPack CromPack CromPackCromPack CromPack CromPack CromPack CromPack  
omPackCromPack CromPack CromPackCromPack CromPack CromPack CromPack CromPack  
Vacuum Packaging Machines Vacuum Packaging Machines Vacuum Packaging Ma  
Pack CromPackCromPack CromPack CromPackCromPack CromPack CromPack  
omPackCromPack CromPack CromPackCromPack CromPack CromPackCromPack  
Vacuum Packaging Machines Vacuum Packaging Machines Vacuum Packaging Ma  
romPack CromPackCromPack CromPack CromPackCromPack CromPack Cr  
ack CromPackCromPack CromPack CromPackCromPack CromPack CromPack  
omPack CromPackCromPack CromPack CromPack CromPack CromPack  
k CromPack CromPackCromPack CromPack CromPack  
Vacuum Packaging Machines Vacuum Packaging Machines Vacuum Packaging Ma  
ackCromPack CromPack CromPackCromPack CromPack CromPack  
romPack CromPack CromPackCromPack CromPack CromPack CromPack  
Pack CromPackCromPack CromPack CromPackCromPack CromPack CromPack  
Vacuum Packaging Machines Vacuum Packaging Machines Vacuum Packaging Ma  
mPackCromPack CromPack CromPackCromPack CromPack CromPack CromPack  
k CromPackCromPack CromPack CromPackCromPack CromPack CromPack Crom  
k CromPackCromPack CromPack CromPackCromPack CromPack CromPack Crom



**CromPack**<sup>®</sup>  
*vacuum packaging machines*

*vacuum*  
[www.crompack.com](http://www.crompack.com)



### Vacuum Packaging for preserving and cooking

Vacuum packaging of food is a preservation technique which is very useful in the kitchen and the modern retail trade. This system of packaging slows the growth of a large number of micro-organisms which require oxygen to proliferate. This is translated into enormous advantages for company savings and allows the activity to:

- optimise purchases
- efficiently plan weekly work
- avoid waste
- increase the size of the menu and the number of products offered to customers
- efficiently organise spaces in the fridge
- offer a hygienically preserved and therefore better quality product

The Hygiene, Quality, Appearance and Freshness of the product are maintained intact over time.

#### THEREFORE:

The quality of foodstuffs can be kept unchanged for a considerably longer period of time than is normally achieved.

However, not all products have the same shelf life.

E.g: Fresh meat can be kept for approximately 20/30 days.

Fresh fish can be kept for approximately 10 days.

Fresh egg pasta can be kept for approximately 15 days.

Cheese and cured meats can be kept even for several months.

#### TO SUMMARISE:

What advantages can a vacuum packaging machine give?

The vacuum packaging machine extracts air from the bag with a suction pump which is adjusted and controlled by an electronic card. It therefore reduces and inhibits the amount of bacteria in the air, the cause of contamination and aging of foods.

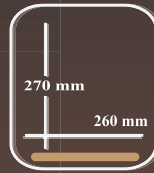
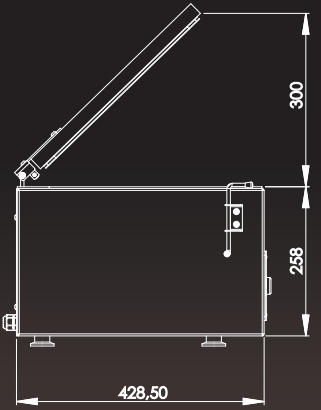
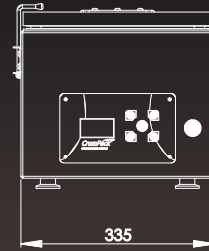
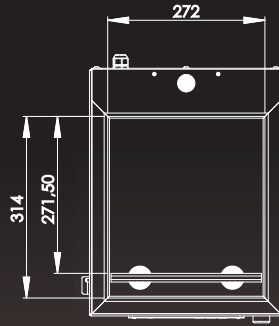
Products such as:

- meat
- fish
- cheese
- vegetables
- pasta
- sauces
- fruit

can all be vacuum packaged . etc.

## VM 26 ( TableTop / Masa üstü )

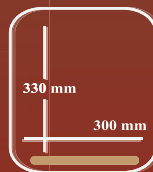
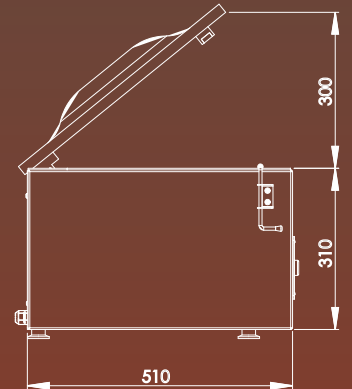
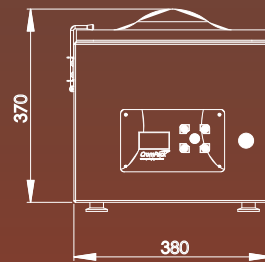
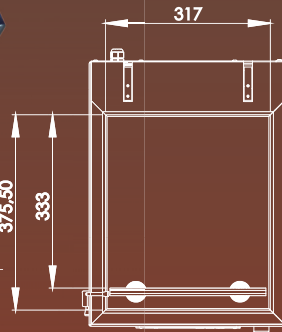
www.crompack.com



### TECHNICAL DATA

Machines Dimensions	mm	335*428*256 h
Chamber Size	mm	300*325*100 h
Pump	mc/h	4 m3
Sealing Bar	mm	260 mm
Power	Voltage	220 volt - 50 / 60 Hz
Kw / h	Kw	0,12
Weight	Kg	24
Closing Operation	Sec	25-35

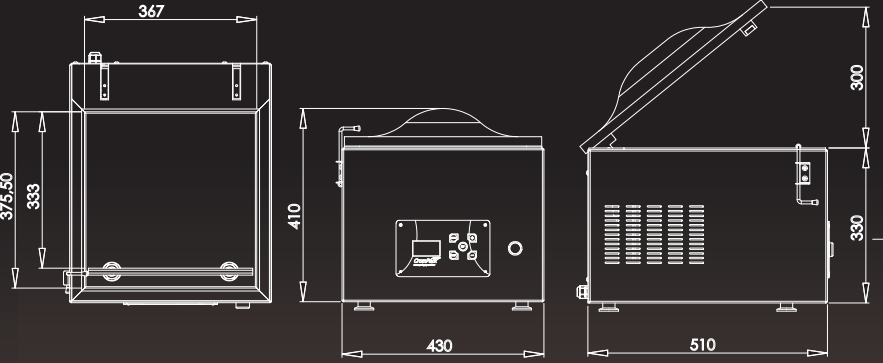
## VM 30 ( TableTop / Masa üstü )



### TECHNICAL DATA

Machines Dimensions	mm	382*510*309 h
Chamber Size	mm	310*340*160 h
Pump	mc/h	8 m3
Sealing Bar	mm	300 mm
Power	Voltage	220 volt - 60 / 50 Hz
Kw / h	Kw	0,25
Weight	Kg	47
Closing Operation	Sec	20-30

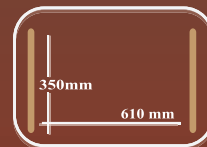
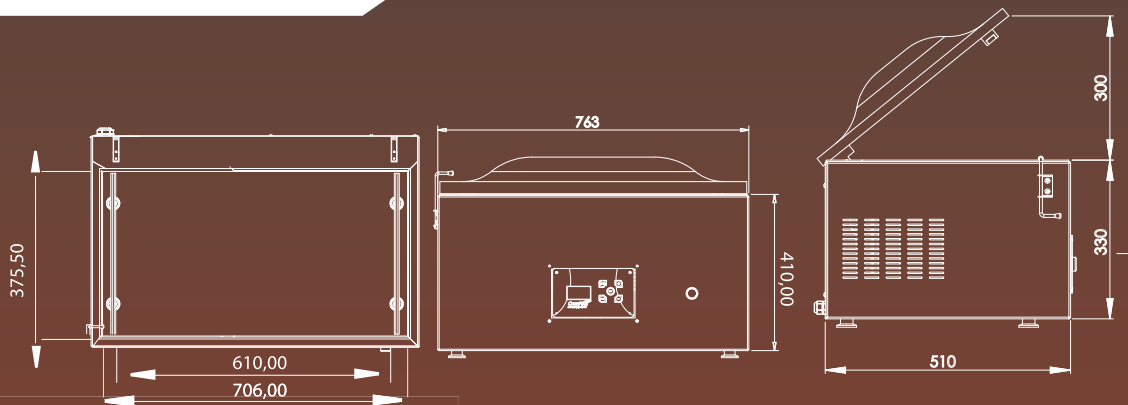
*vacuum*  
**CromPack®**  
 vacuum packaging machines



TECHNICAL DATA

Machines Dimensions	mm	417*510*330 h
Chamber Size	mm	360*350*160 h
Pump	mc/h	21 m3
Sealing Bar	mm	350 mm
Power	Voltage	220 volt -50/60 Hz
Kw / h	Kw	0,55
Weight	Kg	62
Closing Operation	Sec	15-25

( TableTop / Masa üstü ) **VM 35 ML**



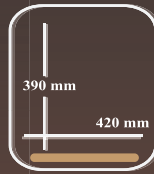
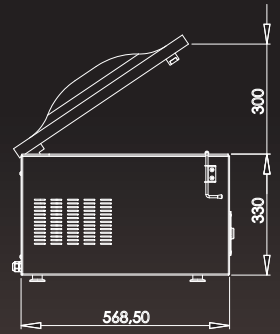
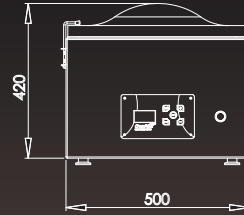
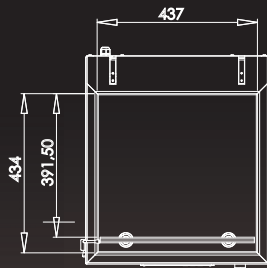
TECHNICAL DATA

Machines Dimensions	mm	763*510*330 h
Chamber Size	mm	700*375*160 h
Pump	mc/h	21 m3
Sealing Bar	mm	350*2 mm
Power	Voltage	220 volt - 50/60 Hz
Kw / h	Kw	0,55
Weight	Kg	80
Closing Operation	Sec	15-25



## VM 42 ( TableTop / Masa üstü )

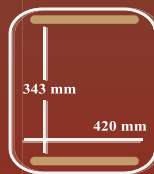
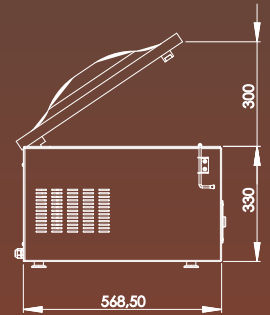
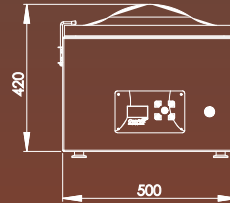
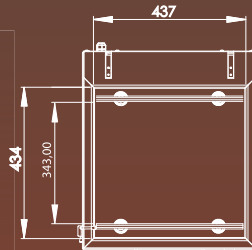
www.crompack.com



### TECHNICAL DATA

Machines Dimensions	mm	500*568*330 h
Chamber Size	mm	430*440*180 h
Pump	mc/h	21 m3
Sealing Bar	mm	420 mm
Power	Voltage	220 volt-50/60 Hz
Kw / h	Kw	0,55
Weight	Kg	62
Closing Operation	Sec	15-25

## VM 42 D ( TableTop / Masa üstü )

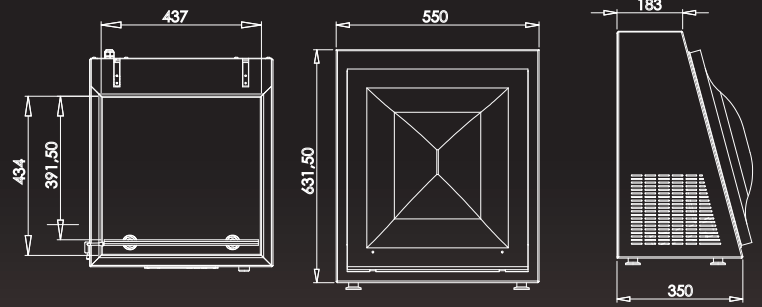
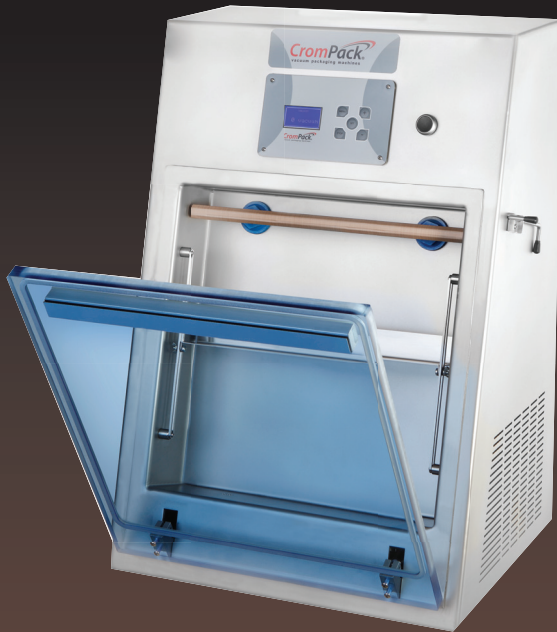


### TECHNICAL DATA

Machines Dimensions	mm	500*568*330 h
Chamber Size	mm	430*440*180 h
Pump	mc/h	21 m3
Sealing Bar	mm	420*2mm
Power	Voltage	220 volt-50/60 Hz
Kw / h	Kw	0,55
Weight	Kg	63
Closing Operation	Sec	15-25

*vacuum*  
**CromPack®**  
 vacuum packaging machines

( Vertical / Dikey ) **VM 42 V**

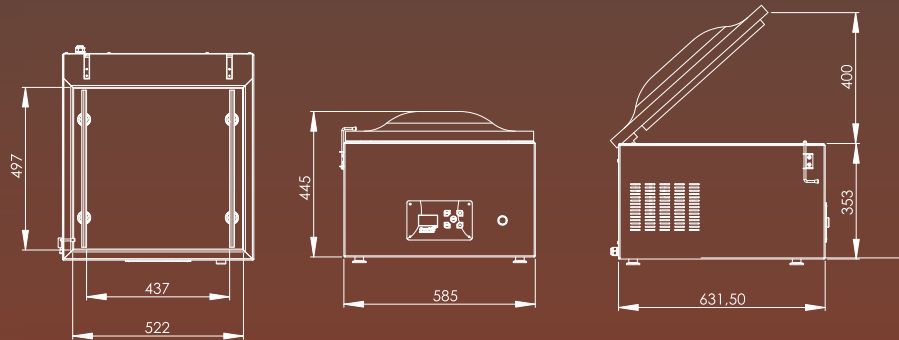


TECHNICAL DATA

Machines Dimensions	mm	540*430*800 h
Chamber Size	mm	430*440*180 h
Pump	mc/h	21 m3
Sealing Bar	mm	420 mm
Power	Voltage	220 volt -50/60 Hz
Kw / h	Kw	0,55
Weight	Kg	62
Closing Operation	Sec	15-25

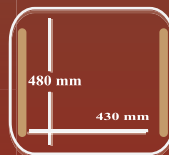


( TableTop / Masa üstü ) **VM 48**



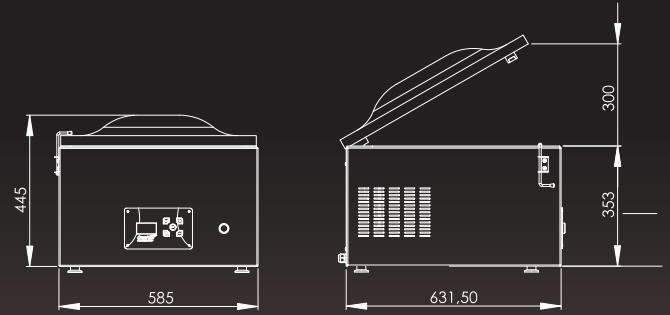
TECHNICAL DATA

Machines Dimensions	mm	585*631*445 h
Chamber Size	mm	520*500*200 h
Pump	mc/h	28 m3
Sealing Bar	mm	480*2 mm
Power	Voltage	220 volt -50/60 Hz
Kw / h	Kw	0,75
Weight	Kg	95
Closing Operation	Sec	15-25



## VM 51 ( TableTop / Masa üstü )

www.crompack.com

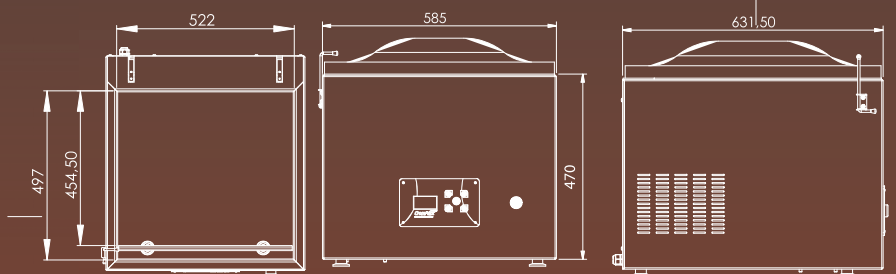


### TECHNICAL DATA

Machines Dimensions	mm	585*631*445 h
Chamber Size	mm	520*500*200 h
Pump	mc/h	28m3
Sealing Bar	mm	510 mm
Power	Voltage	220 volt-50/60 Hz
Kw / h	Kw	0,75
Weight	Kg	95
Closing Operation	Sec	15-25

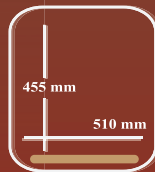


## VM 51 XL ( TableTop / Masa üstü )



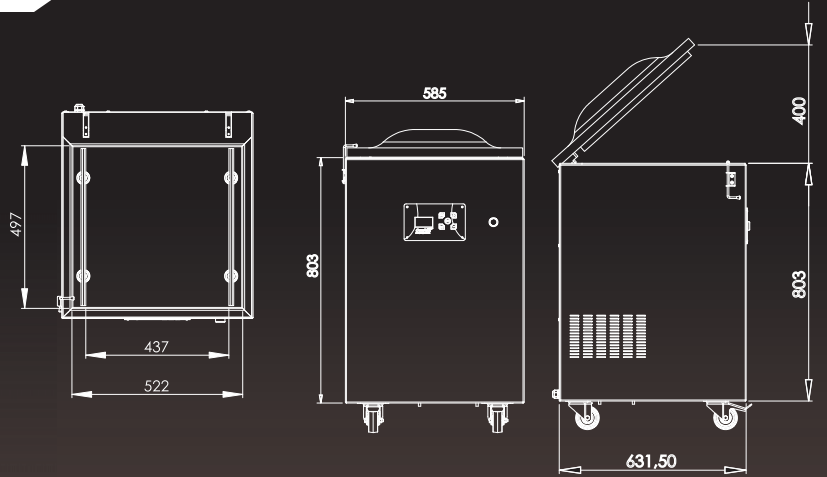
### TECHNICAL DATA

Machines Dimensions	mm	585*631*470 h
Chamber Size	mm	520*500*250 h
Pump	mc/h	28 m3
Sealing Bar	mm	480*2 mm
Power	Voltage	220 volt -50/60 Hz
Kw / h	Kw	0,75
Weight	Kg	104
Closing Operation	Sec	15-25



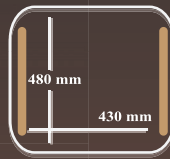
*vacuum*  
**CromPack®**  
 vacuum packaging machines

( Movable / Hareketli ) **VM 48 H**

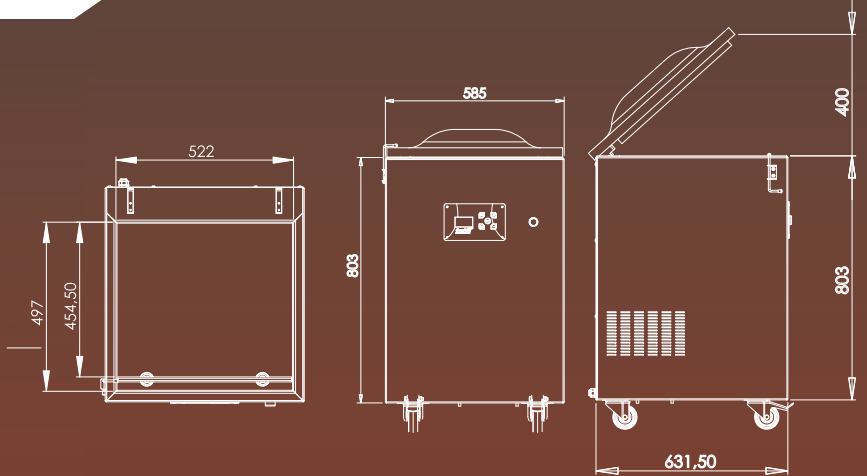


TECHNICAL DATA

Machines Dimensions	mm	585*631*803 h
Chamber Size	mm	520*500*200 h
Pump	mc/h	28 m3
Sealing Bar	mm	480*2 mm
Power	Voltage	220 volt -50/60 Hz
Kw / h	Kw	0,5
Weight	Kg	122
Closing Operation	Sec	15-25

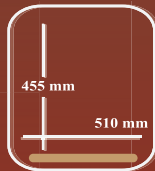


( Movable / Hareketli ) **VM 51 H**



TECHNICAL DATA

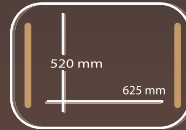
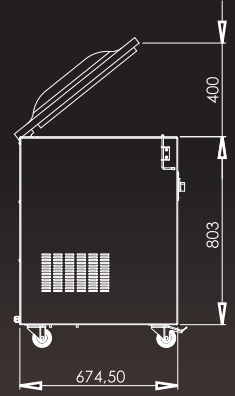
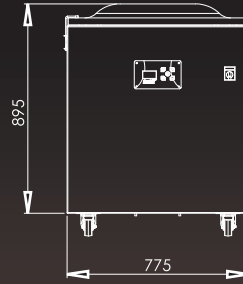
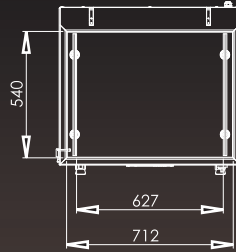
Machines Dimensions	mm	585*631*803 h
Chamber Size	mm	520*500*200 h
Pump	mc/h	28 m3
Sealing Bar	mm	510 mm
Power	Voltage	220 volt -50/60 Hz
Kw / h	Kw	0,75
Weight	Kg	122
Closing Operation	Sec	15-25





## VM 52 ( Movable / Hareketli )

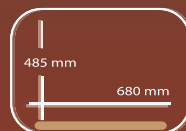
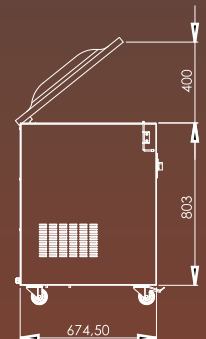
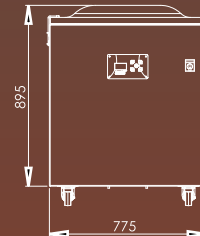
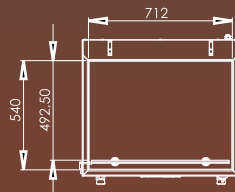
www.crompack.com



### TECHNICAL DATA

Machines Dimensions	mm	775*673*803 h
Chamber Size	mm	720*540*220 h
Pump	mc/h	40 ( 65m3 ) ops
Sealing Bar	mm	520*2mm
Power	Voltage	380 volt-50/60 Hz
Kw / h	Kw	1,1 (1,5)
Weight	Kg	159
Closing Operation	Sec	18-25

## VM 68 ( Movable / Hareketli )

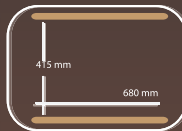
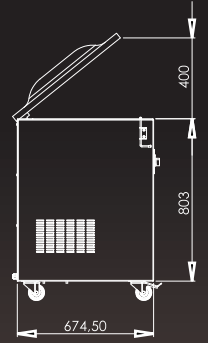
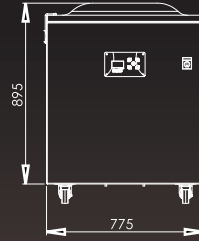
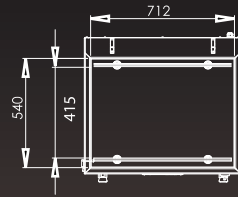


### TECHNICAL DATA

Machines Dimensions	mm	775*673*803 h
Chamber Size	mm	720*540*220 h
Pump	mc/h	40 ( 65 m3) ops
Sealing Bar	mm	680mm
Power	Voltage	380 volt -50/60 Hz
Kw / h	Kw	1,1 (1,5)
Weight	Kg	159
Closing Operation	Sec	18-25

*vacuum*  
**CromPack®**  
 vacuum packaging machines

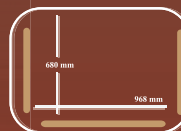
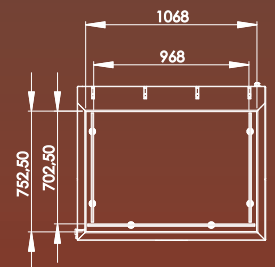
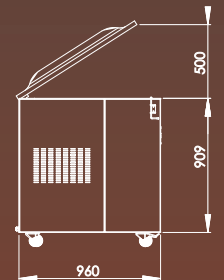
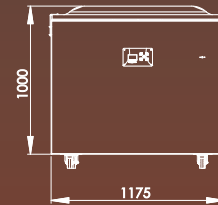
( Movable / Hareketli ) **VM 68 D**



TECHNICAL DATA

Machines Dimensions	mm	775*673*803 h
Chamber Size	mm	720*540*220 h
Pump	mc/h	40 ( 65m3 ) ops
Sealing Bar	mm	680*2mm
Power	Voltage	380 volt-50/60 Hz
Kw / h	Kw	1,1 ( 1,5 )
Weight	Kg	162
Closing Operation	Sec	18-25

( Movable / Hareketli ) **VM 104**

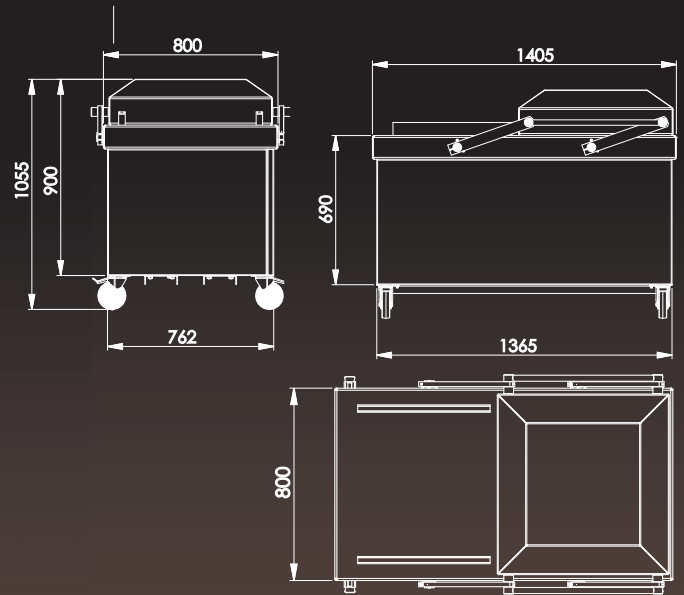


TECHNICAL DATA

Machines Dimensions	mm	1175*690*1020 h
Chamber Size	mm	1068*752*270 h
Pump	mc/h	160 m3
Sealing Bar	mm	680 mm*2 - 1040 mm
Power	Voltage	380 volt -50/60 Hz
Kw / h	Kw	1,1 ( 1,5 )
Weight	Kg	360
Closing Operation	Sec	18-25

## VM 55 ( Double Chamber )

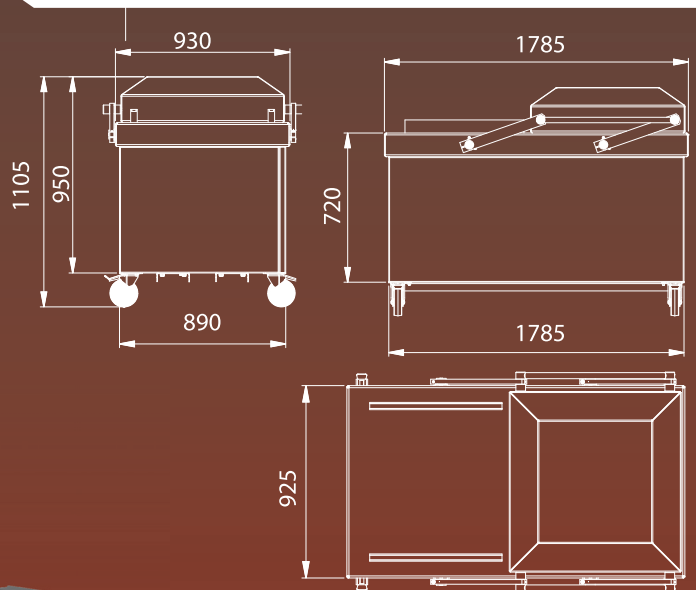
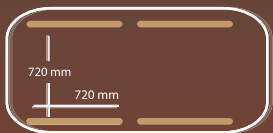
www.crompack.com



### TECHNICAL DATA

Machines Dimensions	mm	1450*762*1055h
Chamber Size	mm	650*600*220h
Pump	mc/h	105 (160 m <sup>3</sup> ) ops
Sealing Bar	mm	550*4 mm
Power	Voltage	3*400 volt 50 Hz
Kw / h	Kw	1,1 (1,5)
Weight	Kg	350
Closing Operation	Sec	18-25

## VM 72 ( Double Chamber )



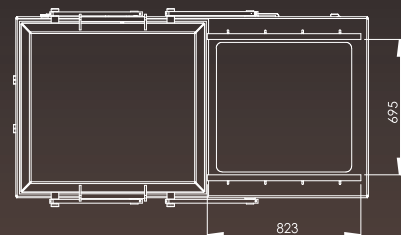
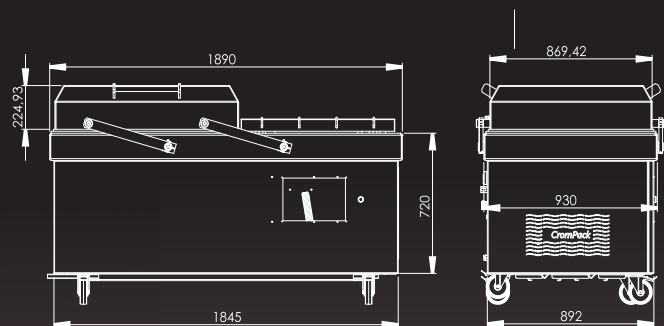
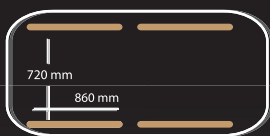
### TECHNICAL DATA

Machines Dimensions	mm	1785*930*1105 h
Chamber Size	mm	700*720*220 h ( 2 PCS )
Pump	mc/h	105 (160) ops
Sealing Bar	mm	720*4 mm
Power	Voltage	3*400 volt -50 Hz
Kw / h	Kw	1,1 (1,5)
Weight	Kg	510
Closing Operation	Sec	18-25

*vacuum*  
**CromPack**  
 vacuum packaging machines

( Double Chamber )

VM 86

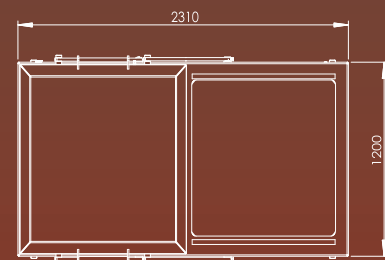
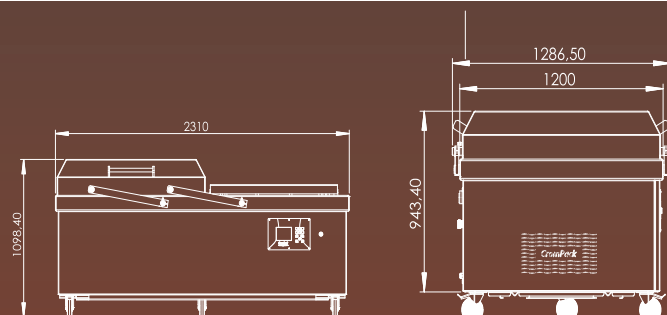
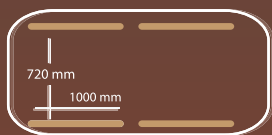


TECHNICAL DATA

Machines Dimensions	mm	1890**900*1100 h
Chamber Size	mm	860*720*220 h ( 2 PCS )
Pump	mc/h	160 ops
Sealing Bar	mm	860*4 mm
Power	Voltage	3*400 volt - 50/60 Hz
Kw / h	Kw	1,5
Weight	Kg	650
Closing Operation	Sec	18-25

( Double Chamber )

VM 100



TECHNICAL DATA

Machines Dimensions	mm	2310*1200*1100 h
Chamber Size	mm	1000*720*220 h ( 2 PCS )
Pump	mc/h	160 ( 205 ) m3
Sealing Bar	mm	1000*4 mm
Power	Voltage	3*400 volt -50/60 Hz
Kw / h	Kw	1,5
Weight	Kg	850
Closing Operation	Sec	15-25

*vacuum*

# instruments

  
T.C.  
TÜRK PATENT ENSTİTÜSÜ

## MARKA TESCİL BELGESİ

Marka No : 2009 61630 - Ticaret - Hizmet



Marka Sahibi : VOLVED ELEKTRONİK GIDA SAN. VE TİC. LTD.  
ŞTİ.  
TÜRKİYE CUMHURİYETİ  
BAĞDAT CD. GÜLBASAN İŞ MERKEZİ NO:317  
CEVİZLİ MALTEPE İSTANBUL  
: 07, 35  
İlişiktir.

Emtiası : İlişiktir.

Markaların Korunması Hakkında 556 Sayılı Kanun Hükmünde Kararnameye göre 18/11/2009 tarihinden itibaren ON YIL müddette 01/11/2010 tarihinde tescil edilmiştir.

  
Mustafa DALKIRAN  
Enstitü Başkanı a.  
Markalar Dairesi Başkanı

TÜRK PATENT ENSTİTÜSÜ

CromPack CromPack CromPack

T.C.  
SANAYİ VE TİCARET  
BAKANLIĞI  
TÜKETİCİNİN VE  
REKABETİN KORUNMASI  
GENEL MÜDÜRLÜĞÜ



## CromPack®

vacuum packaging machines

### GARANTİ BELGESİ

Belgenin Veriliş Tarihi ve Sayısı: 07.09.2010 - 90584  
Belgenin Geçerlilik Tarihi: 07.09.2012

Bu belgenin kullanılması, 4077 sayılı Tüketicinin Korunması Hakkında Kanun ve bu kanuna dayanarak yürürlüğe konulan Garanti Belgesi Uygulama Esaslarına Dair Yönetmelik uyarınca, T.C. Sanayi ve Ticaret Bakanlığı Tüketicinin ve Rekabetin Korunması Genel Müdürlüğü tarafından izin verilmiştir.

**İMALATÇI / İTHALATÇI FİRMANIN:**

Ünvanı : VOLVED ELEKTRONİK GIDA SAN. VE TİC. LTD. ŞTİ.  
Merkez Adresi : BAĞDAT CAD. GÜLBASAN İŞ MERKEZİ NO. 317  
CEVİZLİ - MALTEPE / İSTANBUL  
Telefonu : (0216) 459 69 80 (Pbx)  
Telefaksı : (0216) 459 68 85

**MALİN**

Cinsi : Endüstriyel Tıp Vakum Makinesi  
Markası : CROMPACK  
Model :  
Bandrol ve Seri No :  
Teslim Tarihi ve Yeri :  
Garanti Süresi : 2 Yıl  
Azami Tamir Süresi : 30 İy Günü

**Satıcı Firmamın**

Ünvanı :  
Adresi :  
Telefonu :  
Telefaksı :  
Fatura Tarihi ve No. :



Sezer TURHAN  
Bakan a.  
GEN. MÜDÜR YARD.

CromPack CromPack CromPack

Reference No/Referans Nu.: OSE - 11-0201/01

 **SZUTEST TECHNICAL INSPECTION AND CERTIFICATION**   
*Relay on Experience*

## ATTESTATION OF COMPLIANCE

### UYGUNLUK ONAYI

The technical file of the following product have been checked and found in compliance with the Parliament and Council Directive 2006/95/EC of 12 December 2006 on the harmonization of the laws of Member States relating to electrical equipment designed for use within certain voltage limits and Parliament and Council Directive 2006/42/EC of 17 May 2006 on the approximation of the laws of the Member States relating to machinery.

Teknik dosya ve test raporları incelenerek, belirtilen ürünün Avrupa Birliği Teknik Komisyonu tarafından 12 Aralık 2006 tarihinde yayınlanan 2006/95/AT Direktifinin Sınırları Dahilinde Çalışmak Üzere Tasarlanmış Teçhizat ile ilgili yönetmeliği ve 17 Mayıs 2006 tarihinde yayınlanan 2006/42/AT Makina Emniyeti Yönetmeliğine uygunluğu saptanmıştır.

**Applicant:** Volved Elektronik Gıda ve Tic.Ltd.Şti.  
Bağdat Cd. Gülbasan İş Merkezi No. 617  
Cevizli, Kartal, İstanbul, Türkiye

**Manufacturer:** Volved Elektronik Gıda ve Tic.Ltd.Şti.  
Bağdat Cd. Gülbasan İş Merkezi No. 617  
Cevizli, Kartal, İstanbul, Türkiye

**Product:** Vacuum Packaging Machine  
Ürün: Vakum Paketleme Makinesi

**Type/Model:** VM 26, VM 26 PRO, VM 30, VM 30 PRO, VM 35, VM 42, VM 42 V, VM 48  
VM 51, VM 48 H, VM 51 H, VM 52, VM 66, VM 103, VM 55 DOUBLE CHAMBER  
VM 72 DOUBLE CHAMBER, VM 100 DOUBLE CHAMBER

**Brand Name:** CROMPACK  
Marka

**Base of attestation:** File of technical documentation, test report Ref. No. 11-0201/01  
Onay Dayanağı: Teknik Dokümantasyon, 11-0201/01 numaralı test raporu

\*The referred technical file(s) shows that the product complies with standard(s) recognized as giving presumption of compliance with the essential requirements listed EU Directive(s) above. Other relevant Directives have to be observed. This attestation does not abrogate the compulsory obligation of the manufacturer to issue the declaration of conformity.

\*Diğer ilgili direktiflere uyulmalıdır. Bu onay üreticinin uygunluk beyanı düzenleme zorunluluğunu ortadan kaldırmaz.  
Referans teknik dosya ile ürünün yukarıda belirtilen AT Direktifinin temel gerekliliklerine uygunluğu kabul edilir.

İstanbul, Date/Tarih 2011-02-01

  
Mehmet İşıklar  
General Manager



**SZUTEST**  
TEKNİK KONTROL  
BELGELENDİRME  
HİZM. TİC. LTD. ŞTİ.

İstanbul Mah. Kayışdağı Cad.No: 188 Kat:04  
ATAŞEHİR - İSTANBUL / TÜRKİYE  
Tel: +90 216 489 46 80 Fax: +90 216 489 46 81  
Web: szutest.com.tr e-mail: info@szutest.com.tr

-page1of1

CromPack CromPack CromPack

T.C.  
SANAYİ VE TİCARET  
BAKANLIĞI  
TÜKETİCİNİN VE  
REKABETİN KORUNMASI  
GENEL MÜDÜRLÜĞÜ



## CromPack®

vacuum packaging machines

### SATIŞ SONRASI HİZMETLERİ YETERLİLİK BELGESİ

Belgenin Veriliş Tarihi ve Sayısı: 11.08.2010 - 27902  
Belgenin Geçerlilik Tarihi: 11.08.2012

**İMALATÇI / İTHALATÇI FİRMANIN:**

Ünvanı : VOLVED ELEKTRONİK GIDA SAN. VE TİC. LTD. ŞTİ.  
Merkez Adresi : BAĞDAT CAD. GÜLBASAN İŞ MERKEZİ NO. 317  
CEVİZLİ - MALTEPE / İSTANBUL

Verilen Hizmetin : TS 12859 Yetkili Servisler - Elektrikli ve gaz yakam cihazlar - Sanayi tipi kurullar.

Bu belgenin kullanılması, 4077 sayılı Tüketicinin Korunması Hakkında Kanun ve bu kanuna dayanarak yürürlüğe konulan Garanti Belgesi Uygulama Esaslarına Dair Yönetmelik uyarınca, T.C. Sanayi ve Ticaret Bakanlığı Tüketicinin ve Rekabetin Korunması Genel Müdürlüğü tarafından izin verilmiştir.



Sezer TURHAN  
Bakan a.  
GEN. MÜDÜR YARD.

CromPack CromPack CromPack



**Merkez Adres** : Bađdat Cd. Glbasan İř Merkezi No. 617  
Cevizli - Maltepe / İSTANBUL  
Telefon : +90 ( 216 ) 459 69 80 ( Pbx )  
Faks : +90 ( 216 ) 459 69 85  
E-Mail : info@crompack.com  
Web : www.crompack.com

**Fabrika Adres** : 30 Ađustos Cd. Tamelik San. Sit. No.:10  
Cevizli - Kartal / İSTANBUL  
Telefon : +90 ( 216 ) 457 70 64 - 457 79 64  
Faks : +90 ( 216 ) 457 73 01